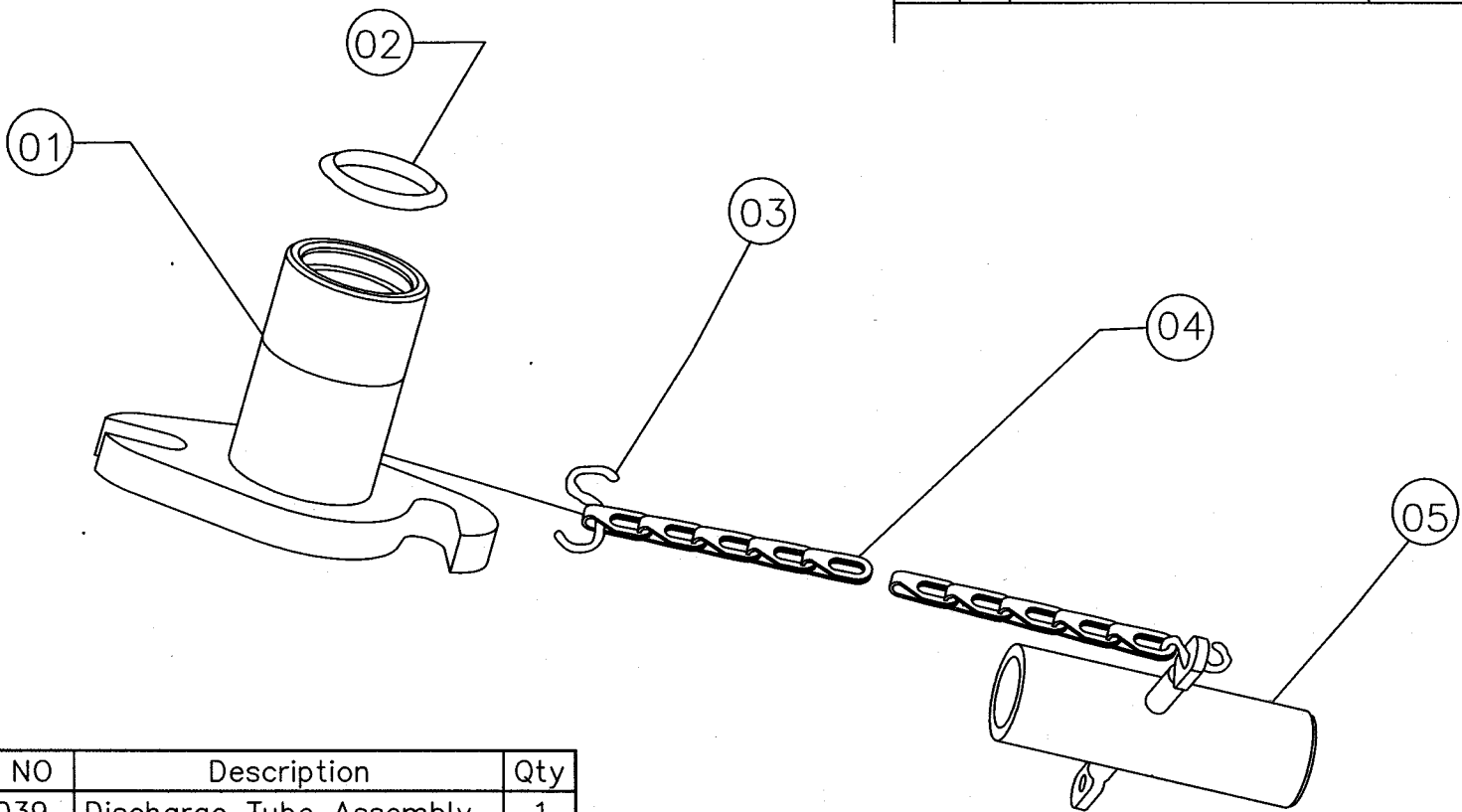
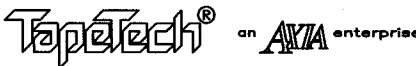


REVISIONS				
ECN	REV	DESCRIPTION	DATE	BY
1090	A	CREATE DRAWING AND RELEASE	12/00	HM



Item	Part NO	Description	Qty
01	704039	Discharge Tube Assembly	1
02	709034	" O " Ring	1
03	709043	" S " Hook	1
04	704042	Chain Assembly	1
05	704040	Filler Tube Assembly	1

<table border="1"> <tr><td>BY</td><td>DATE</td></tr> <tr><td>HM</td><td>12/00</td></tr> <tr><td>CHKD</td><td>MWJ</td></tr> <tr><td>MWJ</td><td>12/00</td></tr> <tr><td>APPVD</td><td></td></tr> </table>	BY	DATE	HM	12/00	CHKD	MWJ	MWJ	12/00	APPVD		FILLER ASSEMBLY		
BY	DATE												
HM	12/00												
CHKD	MWJ												
MWJ	12/00												
APPVD													
 Tapatech [®] an <i>AVTA</i> enterprise													
MATERIAL	SIZE B	SCALE	DWG NO. 90T REV A										
ASSEMBLY REF. NDL		72IT	SHEET 1 of 1										