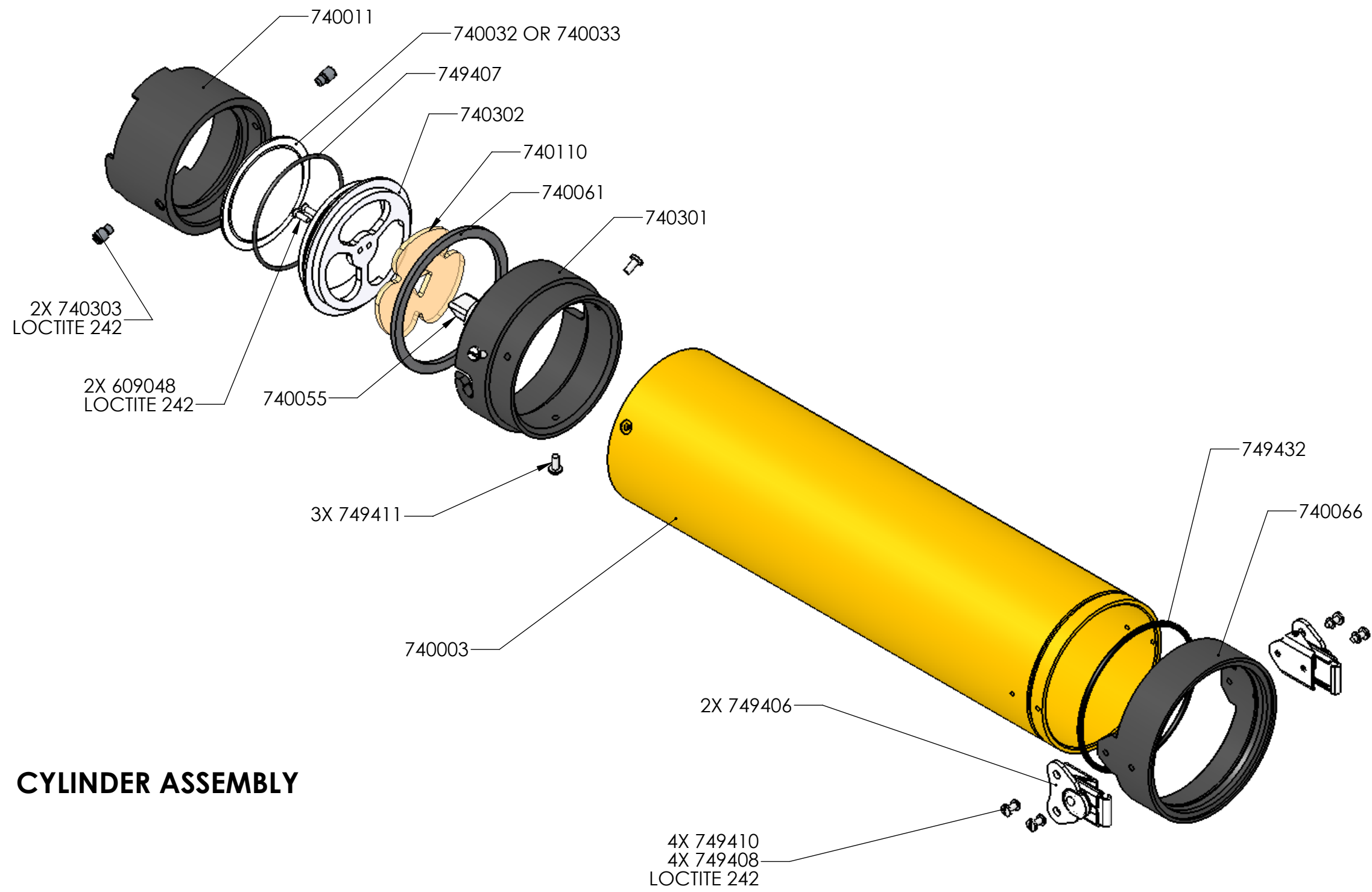
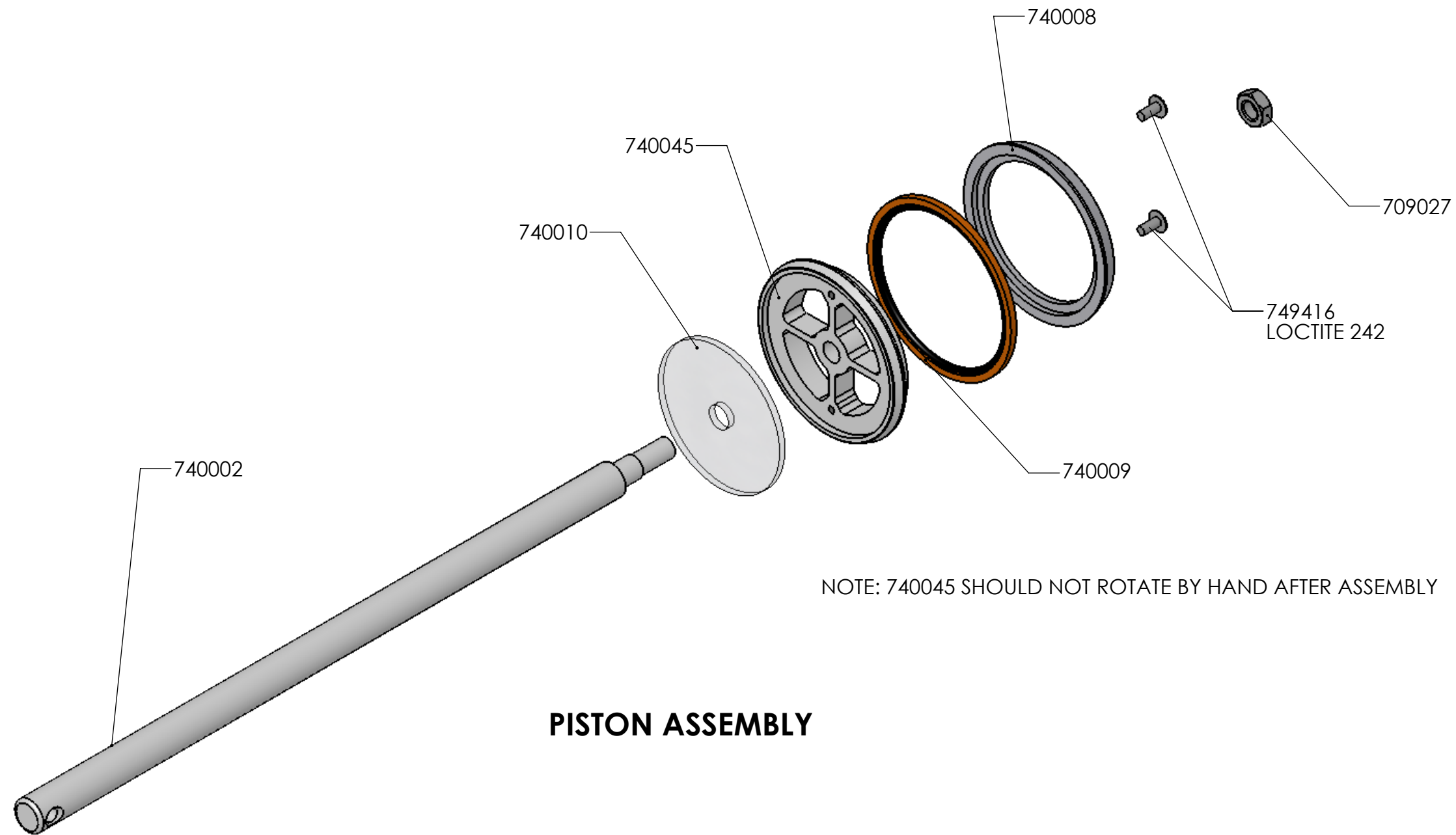


B74TT	Future Pump	
		
	PROFESSIONAL DRYWALL FINISHING TOOLS	REV. A



CYLINDER ASSEMBLY

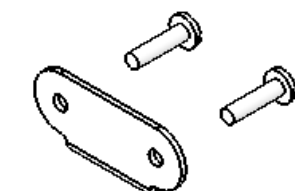
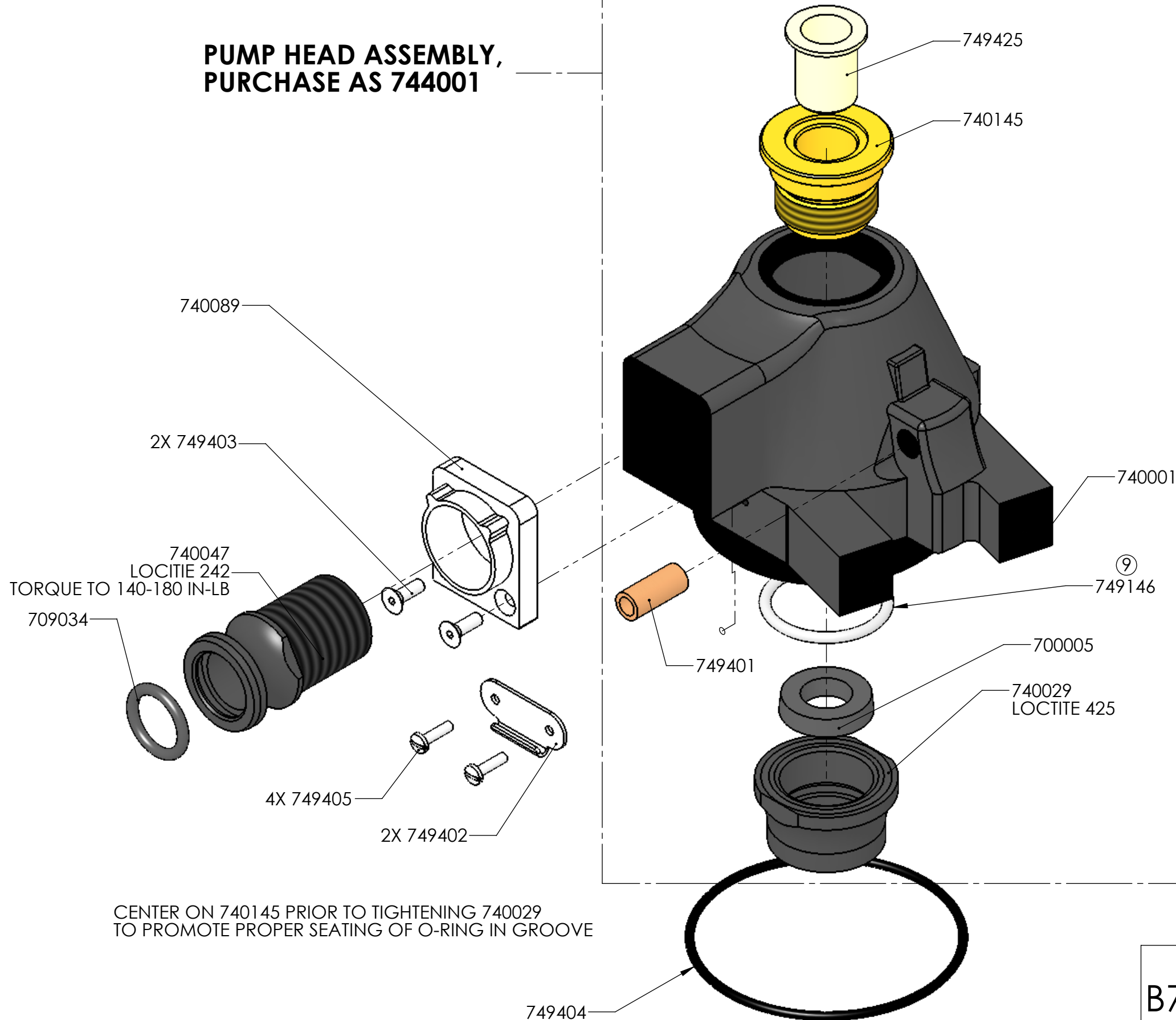
B74TT	Future Pump	
	 <small>PROFESSIONAL DRYWALL FINISHING TOOLS</small>	REV. A



B74TT	Future Pump	REV. A
	Tapetech PROFESSIONAL DRYWALL FINISHING TOOLS	

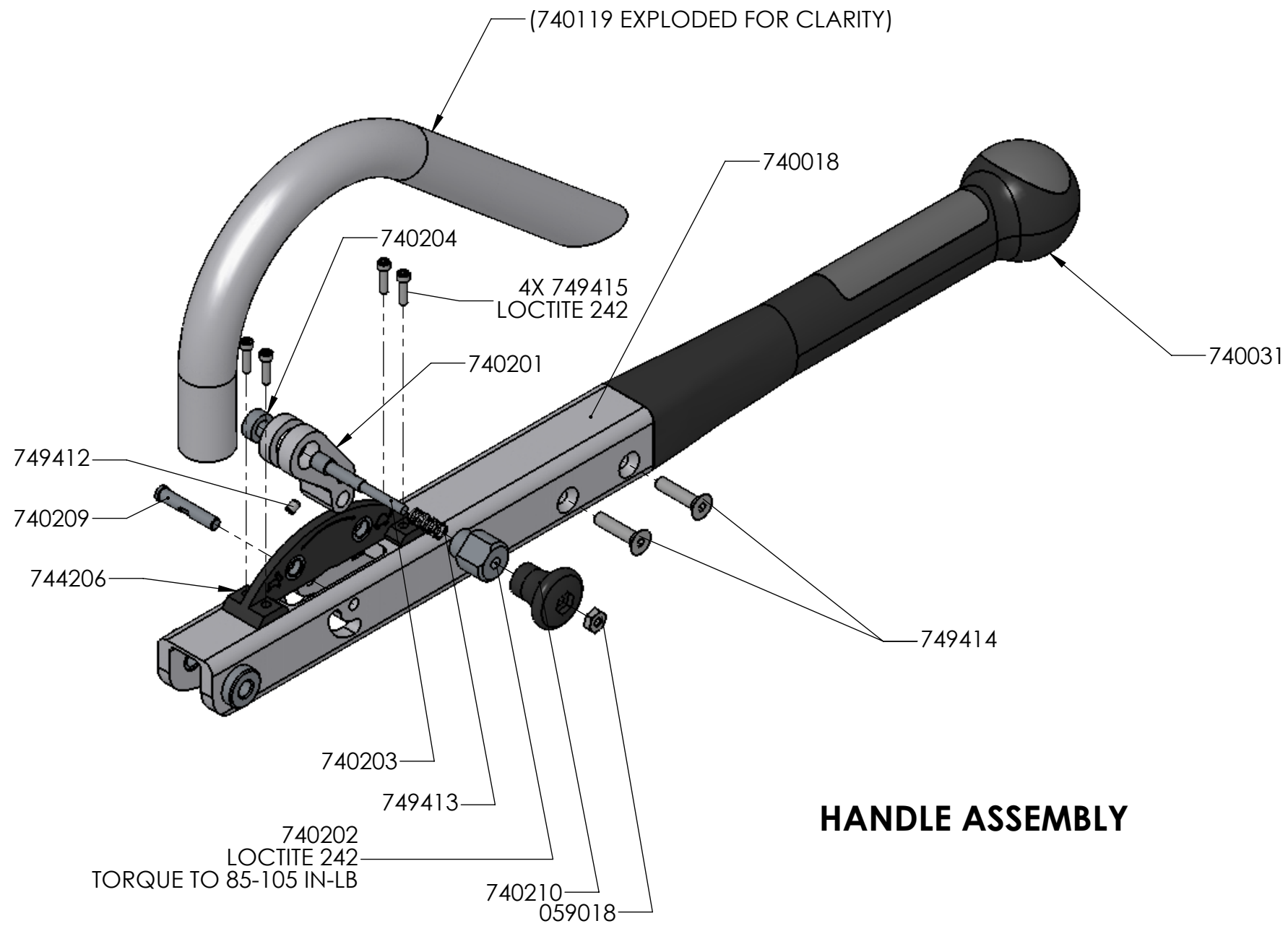
**PUMP HEAD ASSEMBLY,
PURCHASE AS 744001**

PUMP HEAD ASSEMBLY



CENTER ON 740145 PRIOR TO TIGHTENING 740029
TO PROMOTE PROPER SEATING OF O-RING IN GROOVE

B74TT	Future Pump	
		
		REV. A



B74TT	Future Pump	
	 <small>PROFESSIONAL DRYWALL FINISHING TOOLS</small>	REV. A