
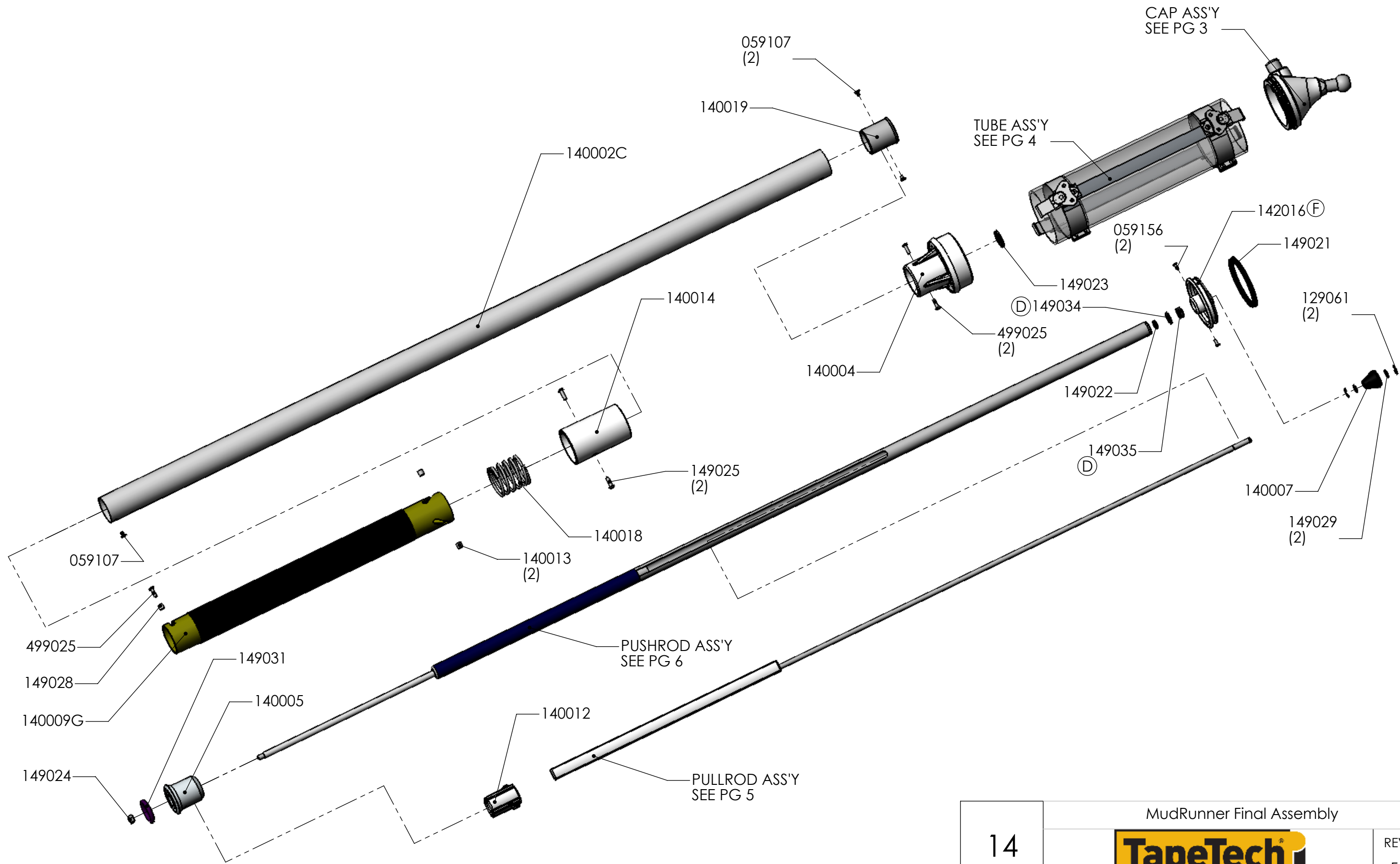


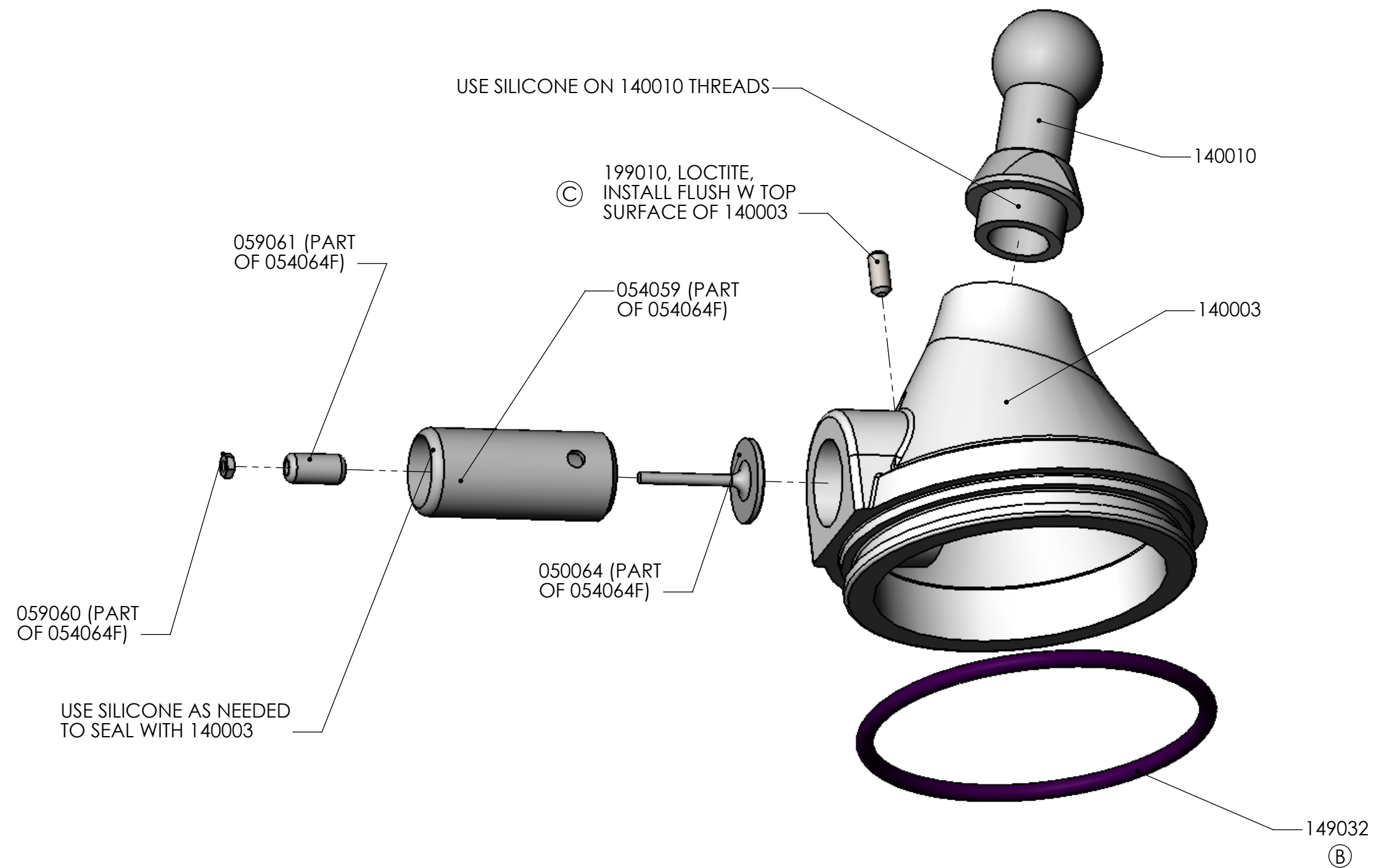
1263	B	149032 WAS 149027. RE-FORMATTED.	04/02	D.J.C.
1296	C	141001, 149033, 199010 WERE 140001, 169010, 729064 RESPECTIVELY	07/02	MWJ
1319	D	141016 WAS 140016. ADD 149034, 149035	12/02	MWJ
1556	E	USE 144001 NEW TUBE ASSEMBLY	02/09	MWJ
1568	F	REPLACE 141016 W 142016	01/12	MWJ

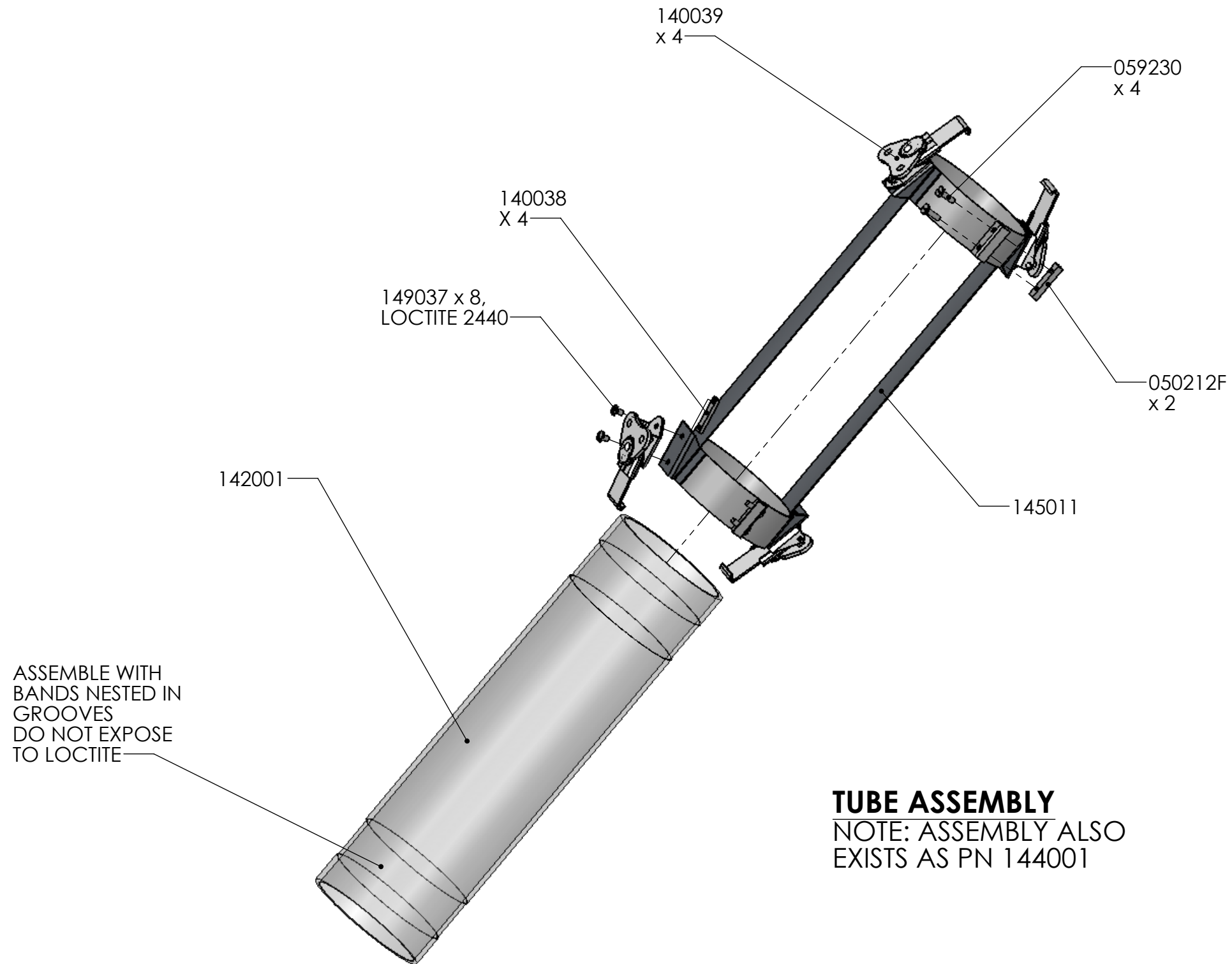
P/N	Qty.	Description
Ⓔ 142001	1	Tube
140002C	1	Main Tube
140003	1	Tube Cap
140004	1	Tube Adapter
140005	1	End Plug
140006	1	Pushrod
140007	1	Needle Plug
140008	1	Needle Pullrod
140009G	1	Control Tube
140010	1	Ball Outlet
Ⓔ 145011	1	Band Assy
140012	1	Control Slide
140013	2	Control Bushing
140014	1	Control Tube Cap
140015	1	Connector
Ⓕ 142016	1	Piston
140017	1	Pushrod Cap
140018	1	Spring
140019	1	Main Tube Cap
149020	1	AVM SE1000V45 Gas Spring
149021	1	Parker 4180E40702562 RL U-Cup
149022	1	Parker 4274E50400250 RL U-Cup

P/N	Qty.	Description
149023	1	Parker 4180E50400750 RL U-Cup
149024	1	M6 Stop Nut, SST
149025	2	Screw, 8-32 x 9/16, SST
149028	1	Bushing, Nylon, #6, McM-Carr 94639A102
149029	2	Washer, NAS 620C 1/4"L, SST
Ⓖ 149031	1	O-Ring, Buna, 2-318
Ⓖ 149032	1	O-Ring, Buna, 2-230
054064F	1	Filler Body Assy
Ⓔ 140039	4	Latch, Rotary
Ⓔ 149037	8	Screw, 5-40 x 3/16 Binding Head, SST
Ⓔ 140038	4	Lockblock
059156	2	Screw, 4-40 x 5/16, Binding Head, SST
059107	3	Screw, 6-32 x 1/4, Socket Flat Head, SST
499023	2	Screw, 4-40 x 3/16, Flat Head, SST
499025	3	Screw, 6-32 x 1/2, Binding Head, SST
050212F	2	Lock Block
059230	4	Screw, 5-40 x 13/32, Binding Head, SST
Ⓒ 210059	1	Shoulder Screw
199010	1	Setscrew, 8-32 x 3/8
129061	2	E-Clip, 0.25 Shaft
Ⓓ 149034	1	Washer, Nylon, McM-Carr 90295A150
149035	1	Parker 4181860000250 Rod Wiper

	BY	DATE	MudRunner Final Assembly			
DRAWN	MWJ	06/01	 <small>PROFESSIONAL DRYWALL FINISHING TOOLS</small>			
CHECKED	-	-				
ALL DIMENSIONS IN INCHES UNLESS OTHERWISE NOTED TOLERANCES UNLESS NOTED .XX ± 0.010" ANGULAR ±.5° .XXX ± 0.005"			SIZE	SCALE = 1:1	DWG. NO. 14TT	REV.
MATERIAL :			B			F
			ASSEMBLY REF. NO.		SHEET 1 of 6	

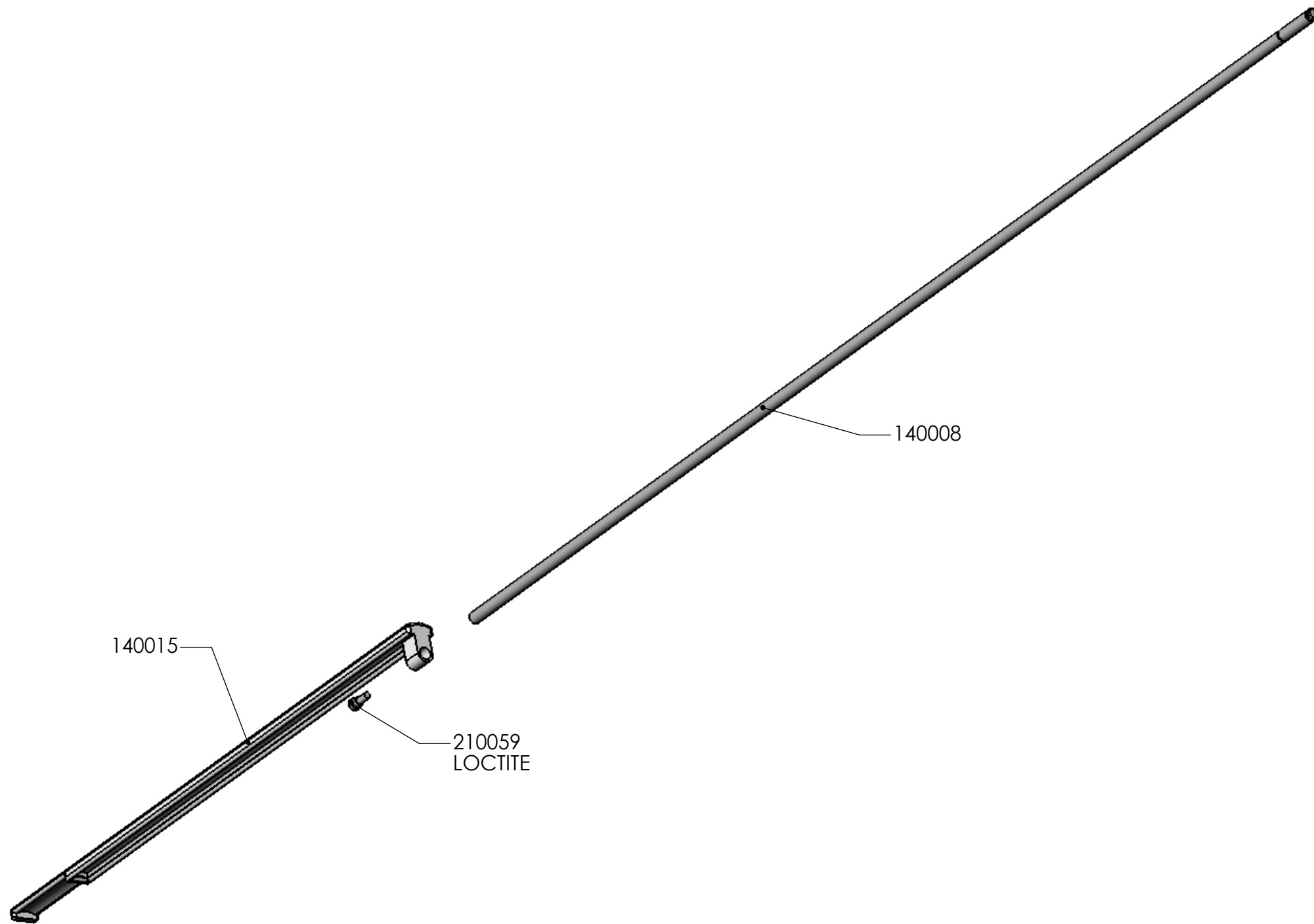


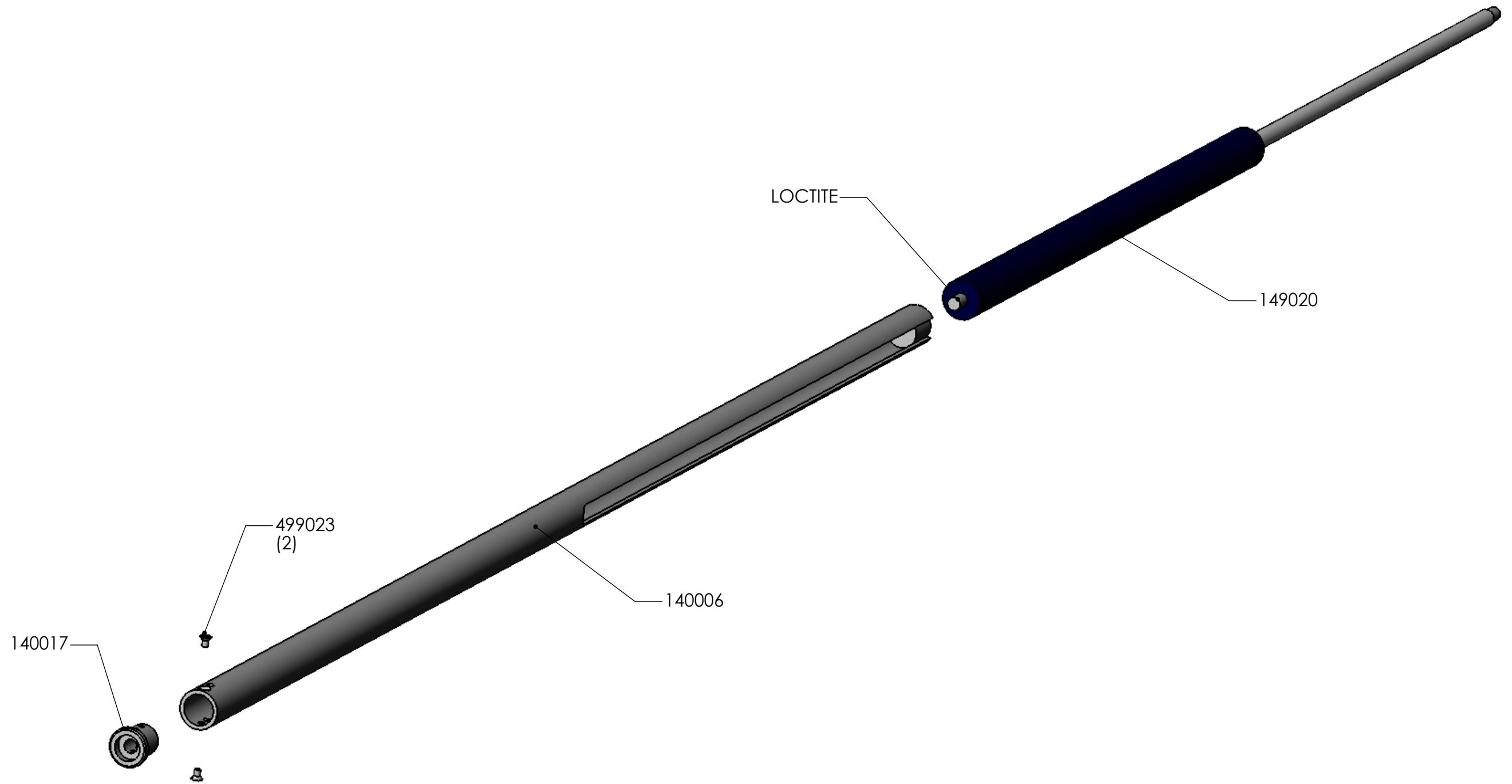




TUBE ASSEMBLY
NOTE: ASSEMBLY ALSO
EXISTS AS PN 144001

14	MudRunner Final Assembly	
	 PROFESSIONAL DRYWALL FINISHING TOOLS	REV. F





140017

499023
(2)

140006

LOCTITE

149020

14	MudRunner Final Assembly	
	TapeTech PROFESSIONAL DRYWALL FINISHING TOOLS	REV. F