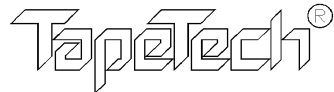
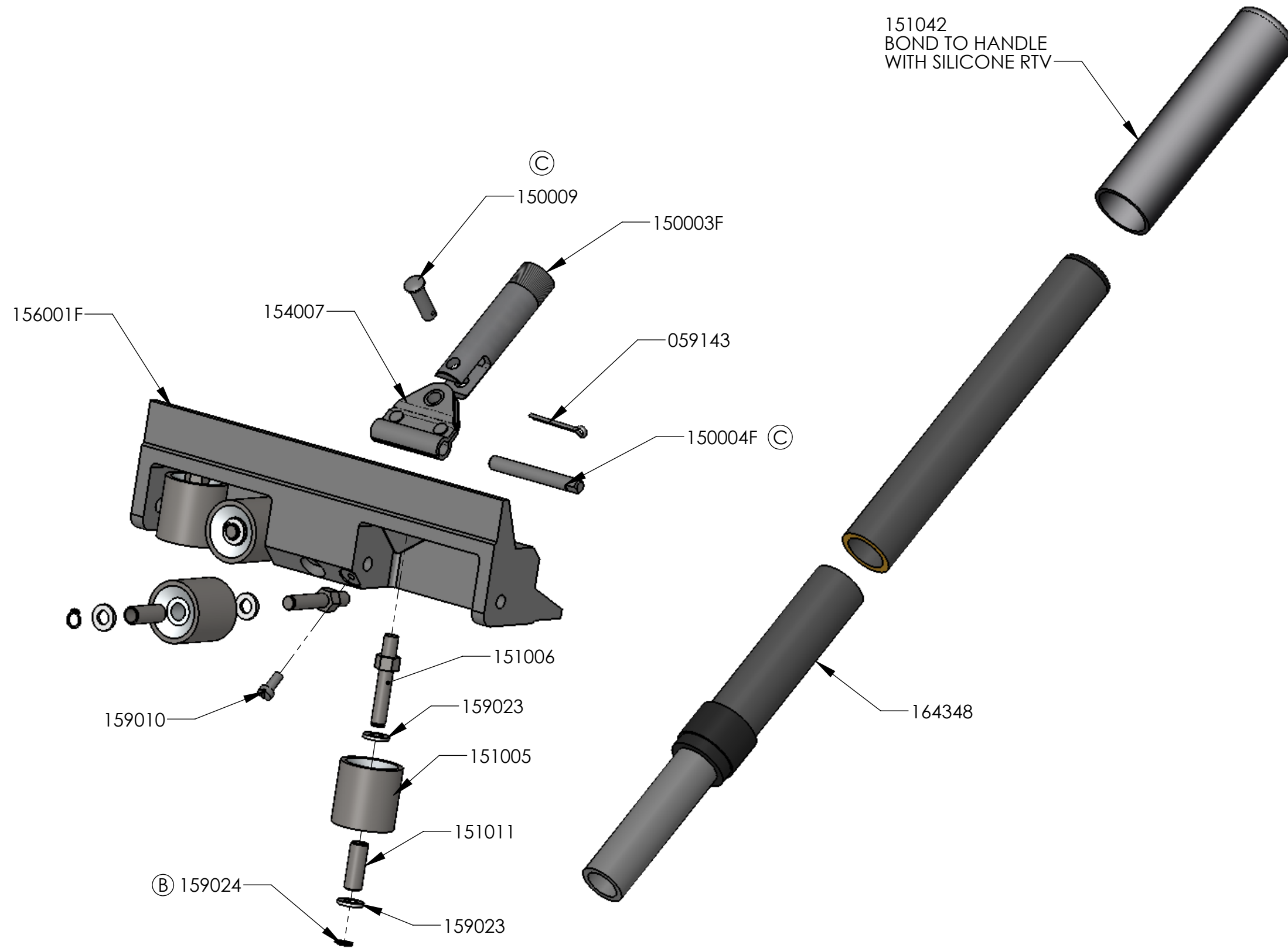


REVISIONS				
ECN	REV.	DESCRIPTION	DATE	BY
1420	A	RELEASED FOR PRODUCTION	03/05	MWJ
1428	B	159024 (QTY 4) WAS 129061	11/05	MWJ
	C	150004F & 150009 WERE REVERSED ON ASSY VIEW	07/08	MWJ

ITEM NO.	PART NUMBER	DESCRIPTION	exploded view/QTY.
1	156001F	CORNER ROLLER HEAD, NON-LOGO	1
2	151006	STUD	4
3	154007	SWIVEL ASSEMBLY	1
4	150004F	SWIVEL COUPLING PIN	1
5	159023	NYLON WASHER	8
6	151011	INNER ROLLER	4
7	151005	OUTER ROLLER ASSEMBLY	4
8	150009	SWIVEL AXLE	1
9	059143	COTTER PIN	1
10	150003F	COUPLING	1
11	159010	8-32 3/8 FILLISTER HEAD SCREW	1
12	164348	CR HANDLE ASSY, SOLD	1
13	151042	HANDLE GRIP, BLACK, NO LOGO	1
14	159024	RETAINING RING, EXT, 0.25 SHAFT	4

	BY	DATE	CORNER ROLLER			
DRAWN	MWJ	03/05	 <b>an Axia Enterprise</b>			
CHECKED	DJC	07/08				
ALL DIMENSIONS IN INCHES UNLESS OTHERWISE NOTED TOLERANCES UNLESS NOTED .XX ± 0.010"      ANGULAR ±.5° .XXX ± 0.005"			SIZE	SCALE = 1:1	DWG. NO. 15TTE	REV.
MATERIAL :			B			C
			ASSEMBLY REF. NO.		SHEET 1 of 2	



15TTE	CORNER ROLLER	
	 <small>PROFESSIONAL DRYWALL FINISHING TOOLS</small>	REV. C