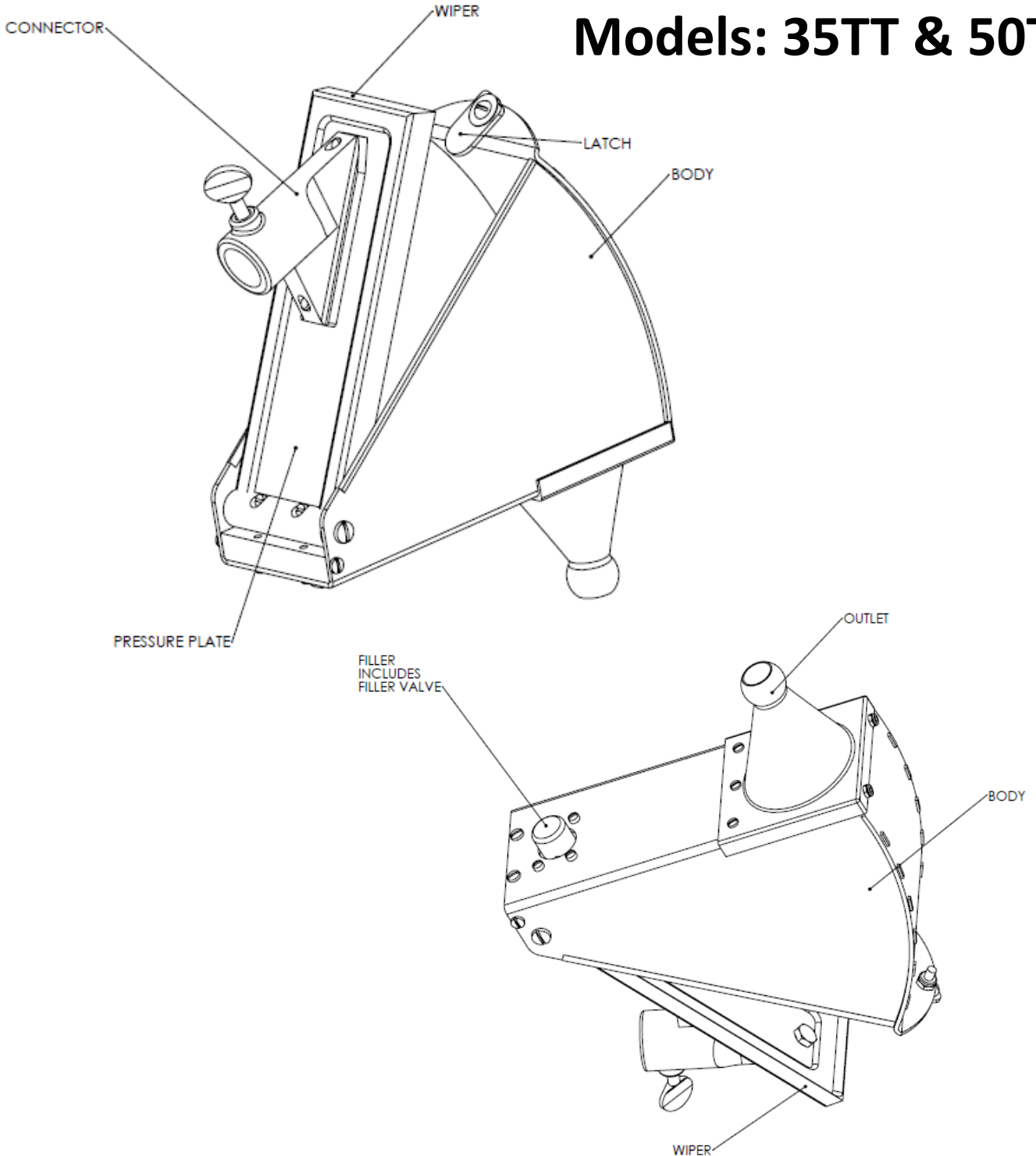


Corner Applicator

Operation and Maintenance Guide

Better – Faster – Every time

Models: 35TT & 50TT



Corner Applicator

Operation and Maintenance Guide

Better – Faster – Every time

Models: 35TT & 50TT

Operation

The corner applicator works in conjunction with the 2" (50mm) or 3" (75mm) corner finishers and the 3" (75mm) or 3 ½ " (89 mm) adjustable corner finishers. This tool allows the operator to put a consistent finish coat to both sides of an angle at one time.

The corner finisher is attached to the corner applicator by inserting the cone/ball end of the applicator into the insert socket of the corner finisher.

The corner applicator is filled by using the EasyClean® Pump with the box filler adapter. To fill the corner applicator, turn it on its side and insert the filler attachment of the applicator into the box adapter (without the slot adapter) of the EasyClean® Pump. The corner finisher should be over the edge of the joint compound bucket. Pump the corner applicator until it is full.

The corner applicator is a pressure controlled tool. Therefore, for best results, even pressure should be applied. Hold the applicator with both hands, one near the end of the handle and the other close to the applicator. When the corner finisher is set in the angle, all blades should be flush with the sides of the angle. The cone/ball of the corner applicator should be kept straight in the insert socket of the corner finisher and centered in the angle being finished (no tilt to either side).

To finish vertical angles, set the corner finisher near the bottom of the vertical angle with the blade end closest to the floor. Apply pressure, with the handle, to the applicator pressure plate and pull up about 2' to 3' and sweep the corner finisher away from the angle. Turn the corner applicator around and set the corner finisher in the top of the angle, pull down through the bottom joint compound mark and sweep it away from the angle.

For horizontal angles, set the corner finisher in one corner of the angle, apply pressure to the applicator and pull it to the opposite corner. Near the end of the opposite corner, sweep the corner finisher away from the angle. Turn the corner applicator around, set it in the opposite corner, apply pressure and pull the corner finisher back through the mud mark and sweep the corner applicator away from the angle.

For the easiest operation, keep the handle at a 45 degree angle, keep the corner finisher set flush in the angle, and keep the outlet cone straight in the corner finisher.

Maintenance

Clean thoroughly with a brush and water (or a water hose) to remove all joint compound from the tool. Pay close attention to insure that the filler attachment is completely cleaned of all joint compound. Then, after the tool is clean, lightly oil with Ames® Bazooka® Oil or any light machine oil.

