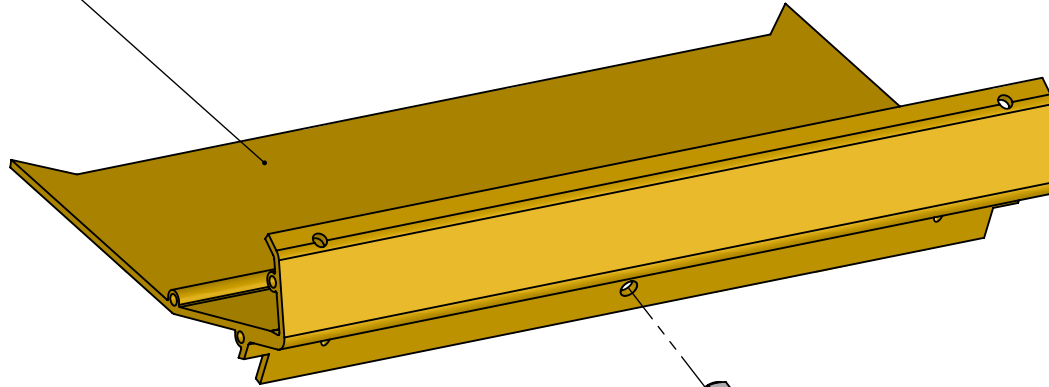
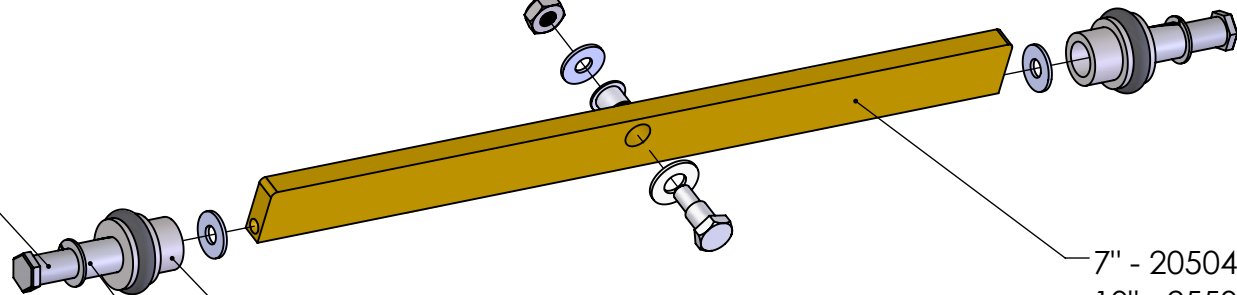


7" - 205033G
10" - 255033G
12" - 305033G



210073 X 2



213051 X 2

179009 X 2

7" - 205045G
10" - 255045G
12" - 305045G

PARTS NOT SPECIFICALLY LISTED ARE RE-USED
FROM EXISTING FINISHER BOX