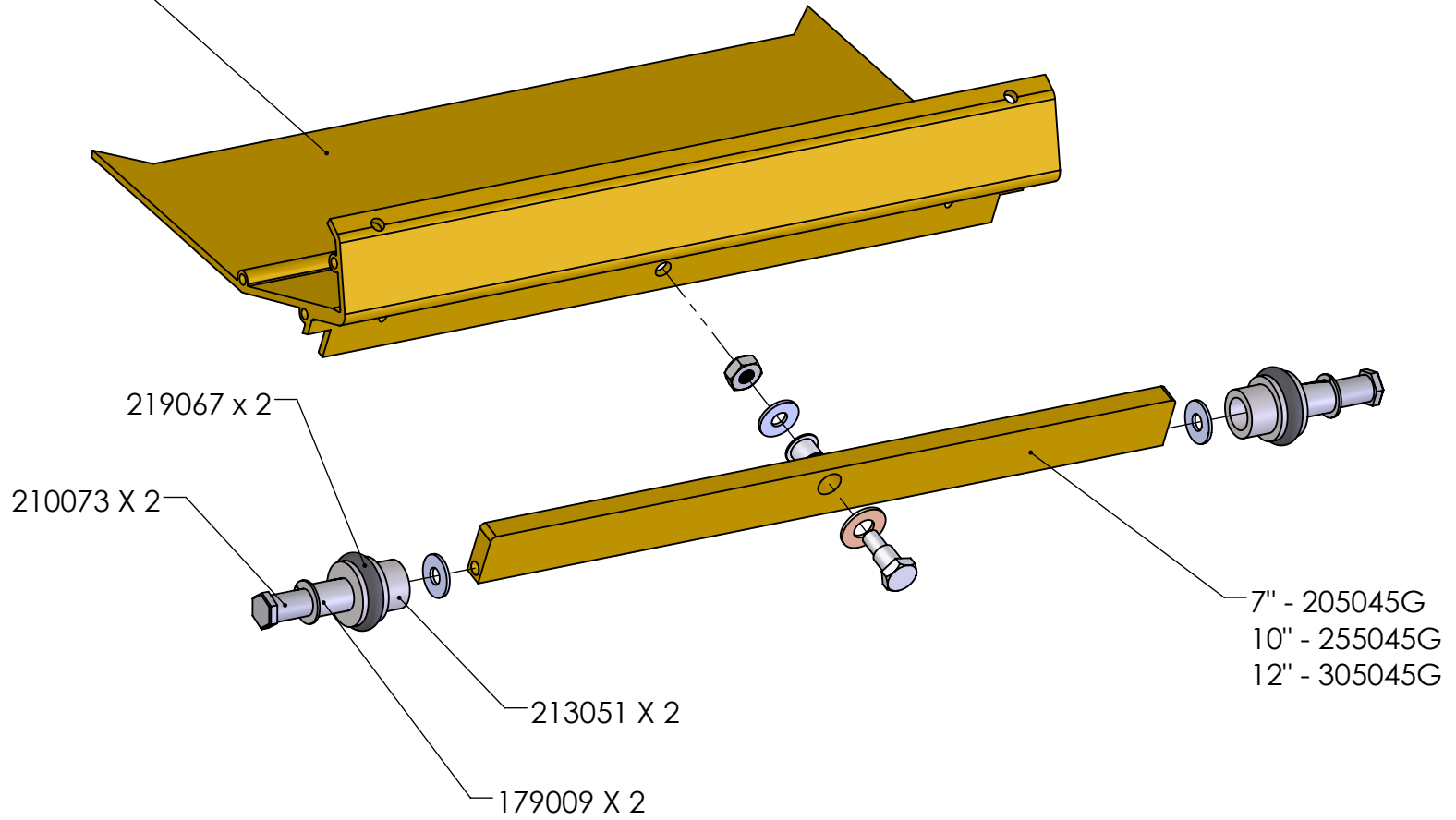


7" - 205033G
10" - 255033G
12" - 305033G



PARTS NOT SPECIFICALLY LISTED ARE RE-USED
FROM EXISTING FINISHER BOX